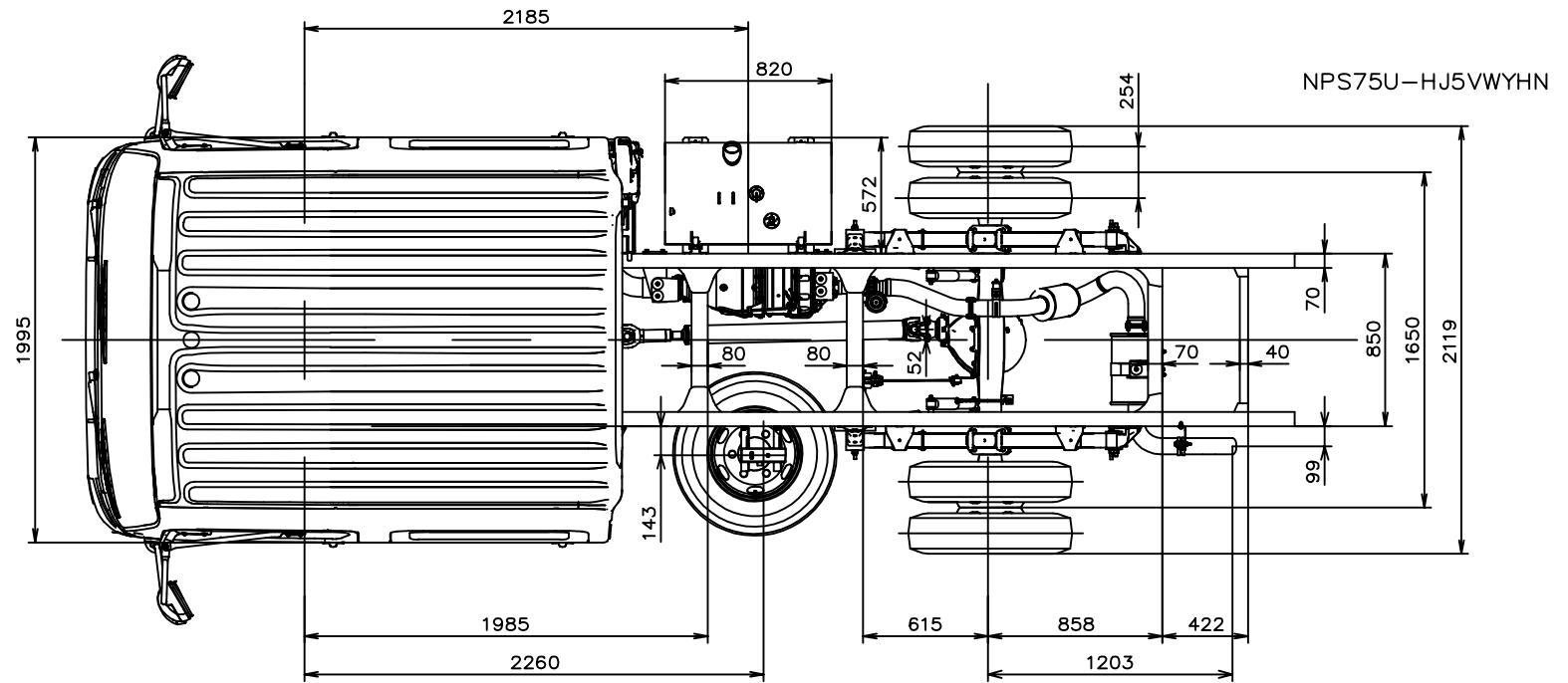


Copyright 2010 Isuzu Australia Limited

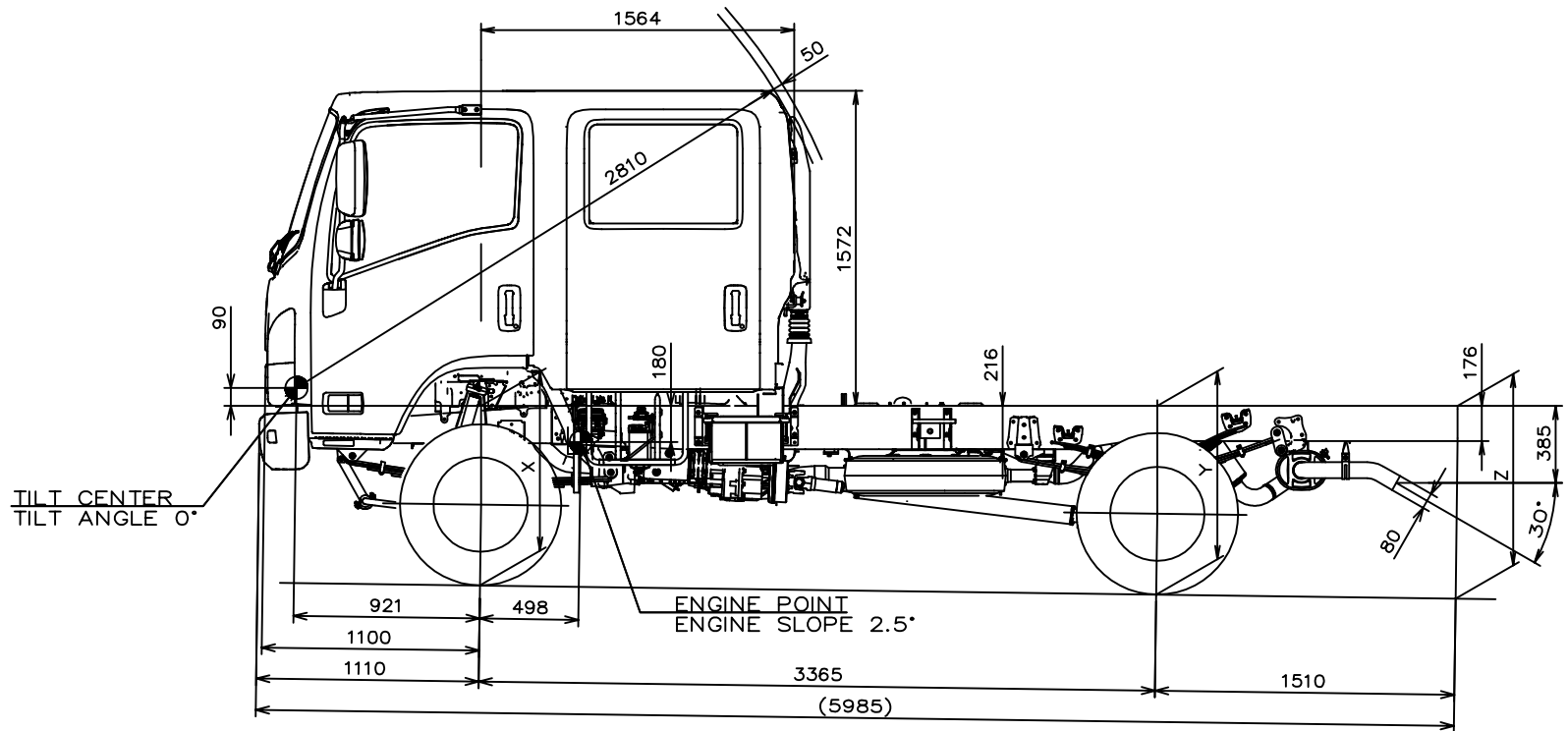
BODY BUILDER NOTES:

1. DIMENSIONS SHOWN ARE INDICATIVE ONLY
2. FOR ACTUAL DIMENSIONS REFER TO VEHICLE



CHASSIS HEIGHTS (unladen):

- X=860mm
- Y=950mm
- Z=980mm



NH 2011MY Isuzu NPS 250/300 4x4 crew