

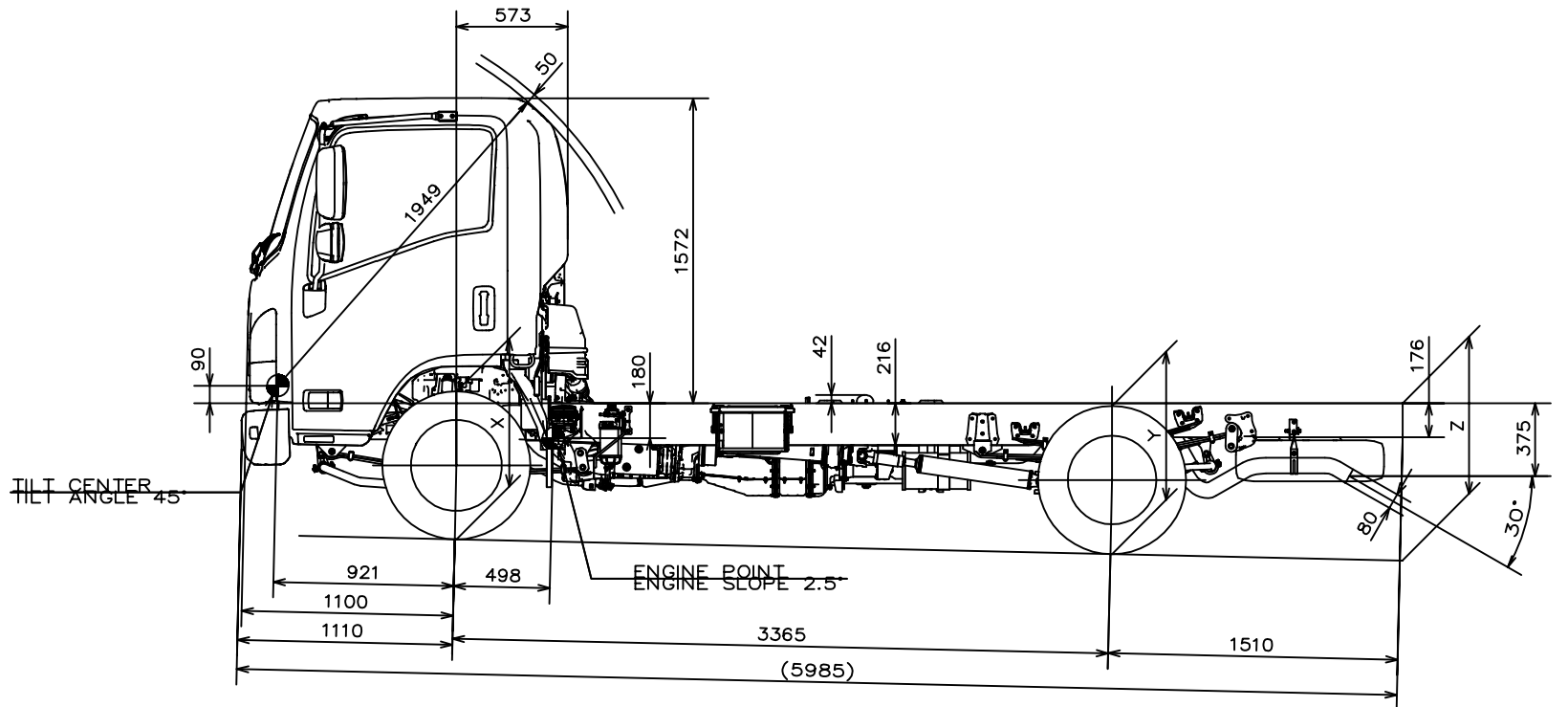
Copyright 2010 Isuzu Australia Limited

BODY BUILDER NOTES:

1. DIMENSIONS SHOWN ARE INDICATIVE ONLY
2. FOR ACTUAL DIMENSIONS REFER TO VEHICLE

CHASSIS HEIGHTS (unladen):

X=675mm
Y=790mm
Z=830mm



NH 2011MY Isuzu NPR 400 medium

Version 1, November 2010