

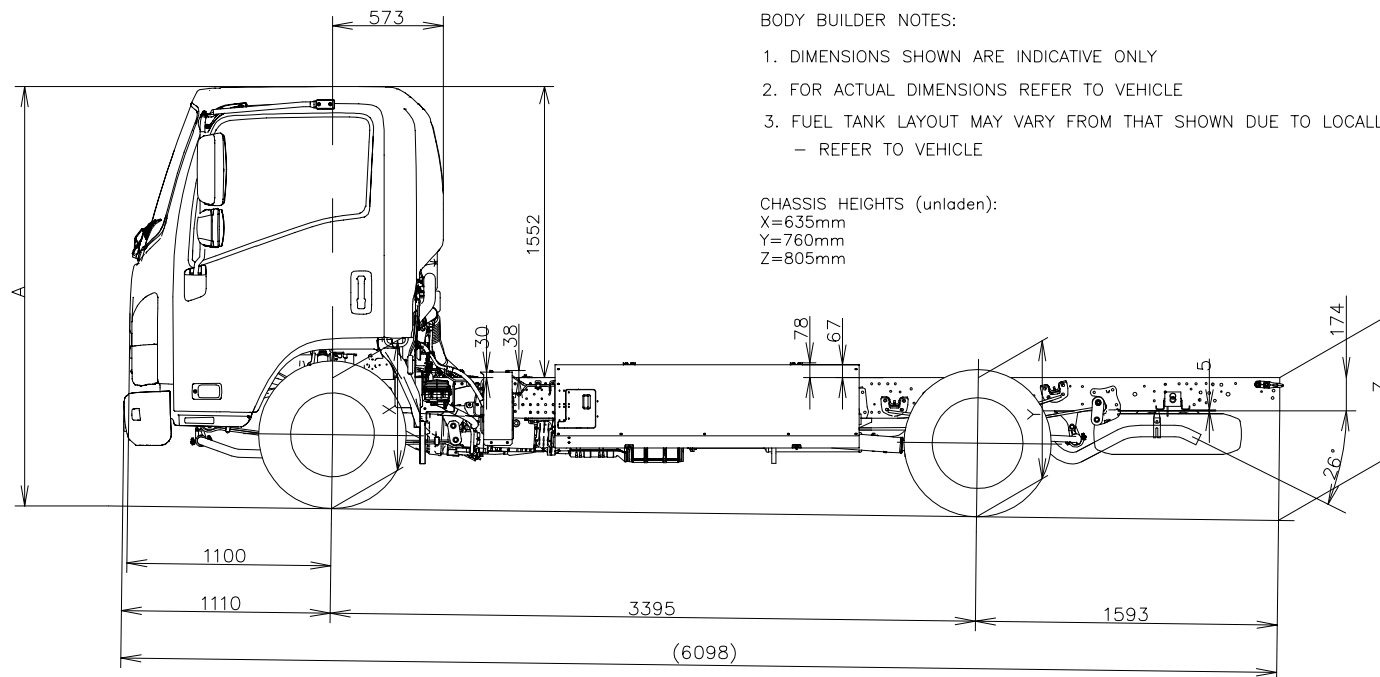
Copyright 2010 Isuzu Australia Limited

BODY BUILDER NOTES:

1. DIMENSIONS SHOWN ARE INDICATIVE ONLY
2. FOR ACTUAL DIMENSIONS REFER TO VEHICLE
3. FUEL TANK LAYOUT MAY VARY FROM THAT SHOWN DUE TO LOCALLY FITTED OPTIONS
- REFER TO VEHICLE

CHASSIS HEIGHTS (unladen):

X=635mm
Y=760mm
Z=805mm



NH 2011MY Isuzu NPR 300 CNG