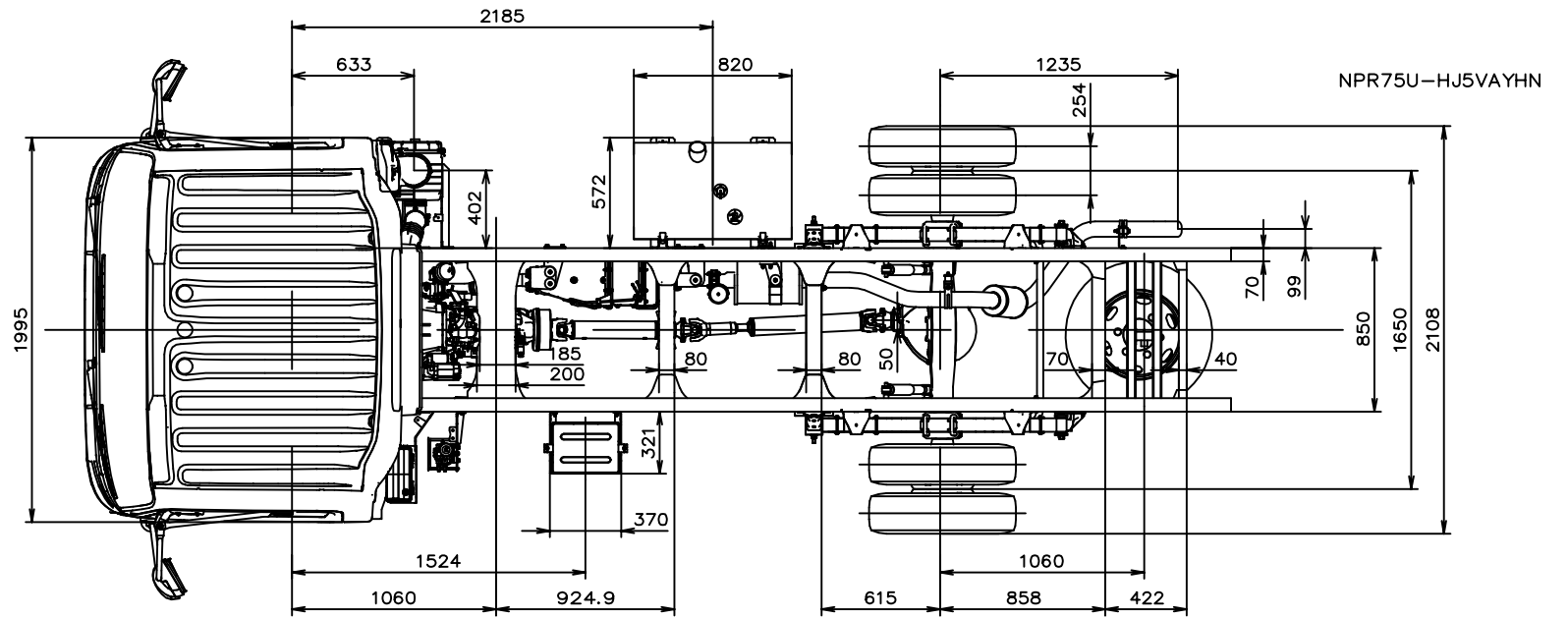


Copyright 2010 Isuzu Australia Limited

BODY BUILDER NOTES:

1. DIMENSIONS SHOWN ARE INDICATIVE ONLY
2. FOR ACTUAL DIMENSIONS REFER TO VEHICLE



CHASSIS HEIGHTS (unladen):

X=665mm

Y=800mm

Z=840mm

