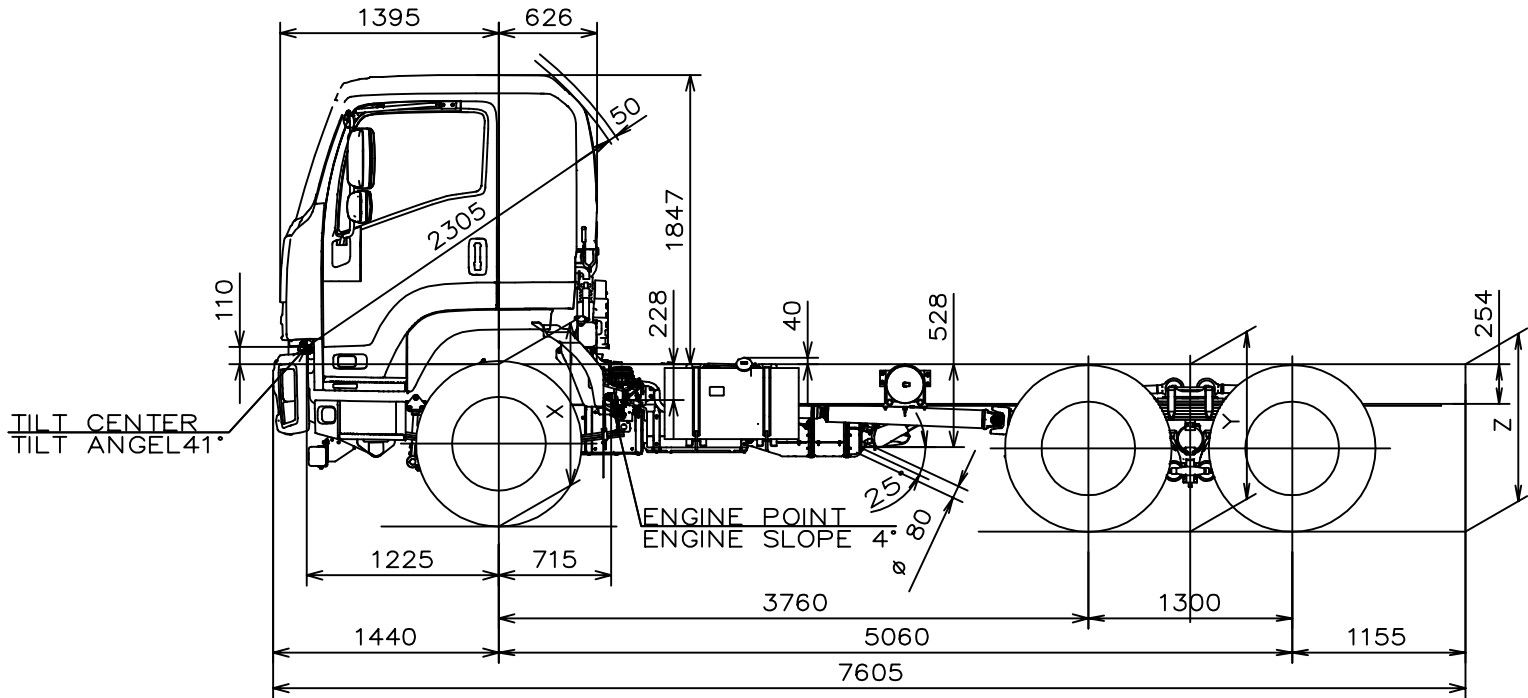
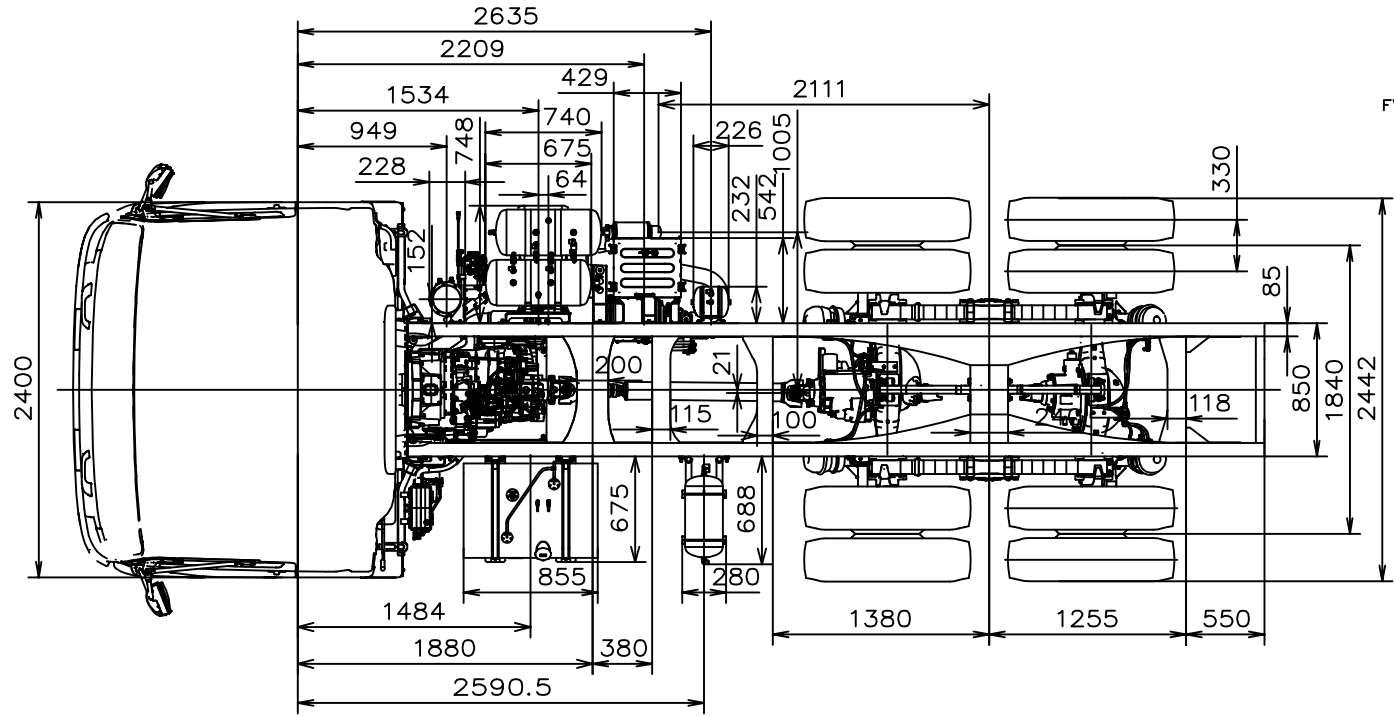


Copyright 2010 Isuzu Australia Limited

BODY BUILDER NOTES:

1. DIMENSIONS SHOWN ARE INDICATIVE ONLY
2. FOR ACTUAL DIMENSIONS REFER TO VEHICLE

CHASSIS HEIGHTS (unladen):  
 X=1000mm  
 Y=1075mm  
 Z=1090mm



FH 2011MY Isuzu FVZ 1400 medium