

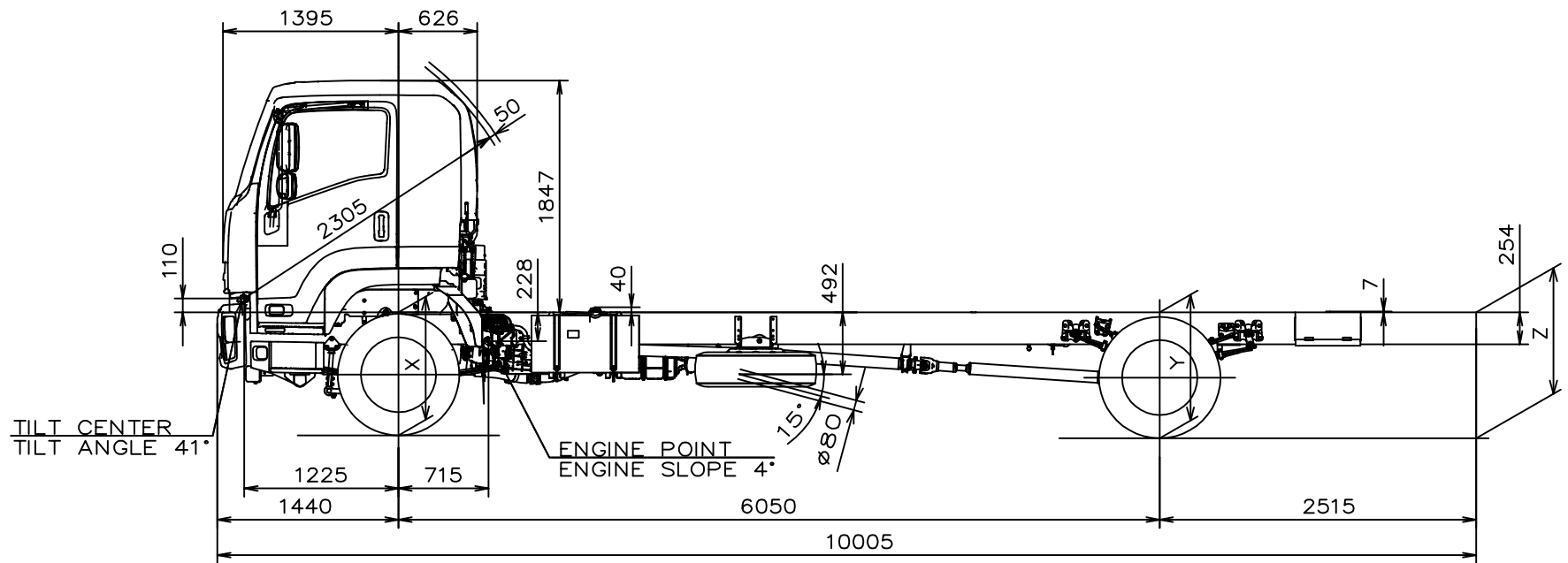
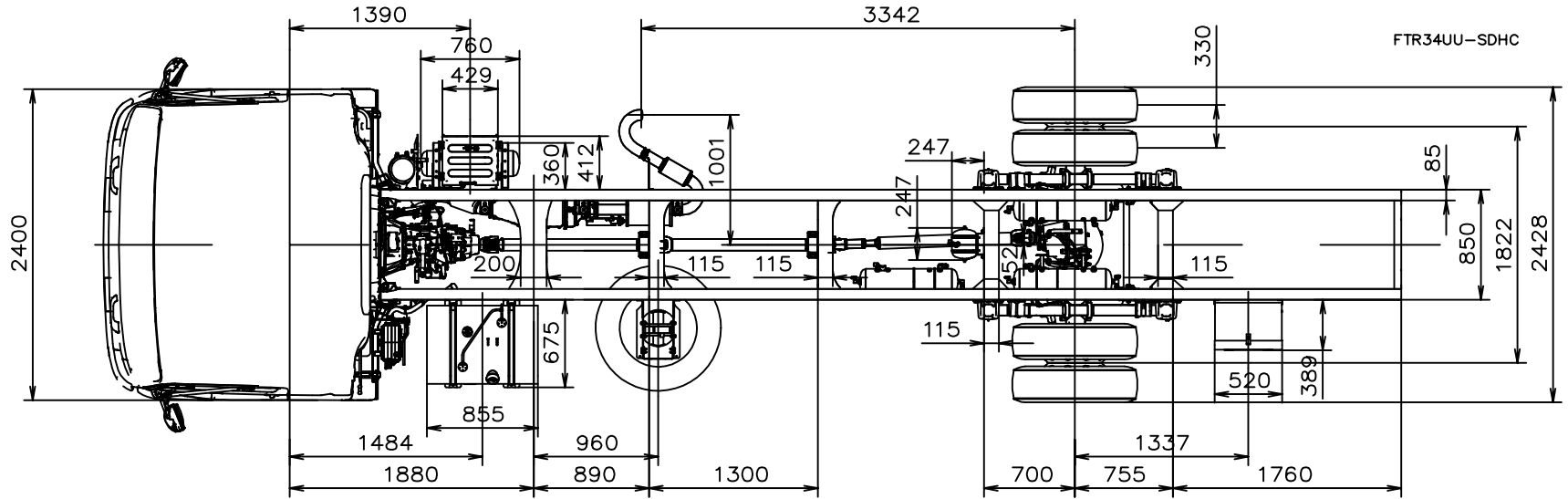
Copyright 2010 Isuzu Australia Limited

BODY BUILDER NOTES:

- 1. DIMENSIONS SHOWN ARE INDICATIVE ONLY
- 2. FOR ACTUAL DIMENSIONS REFER TO VEHICLE

CHASSIS HEIGHTS (unladen):

X=TBA  
Y=TBA  
Z=TBA



FH 2011MY Isuzu FTR 900 m-long