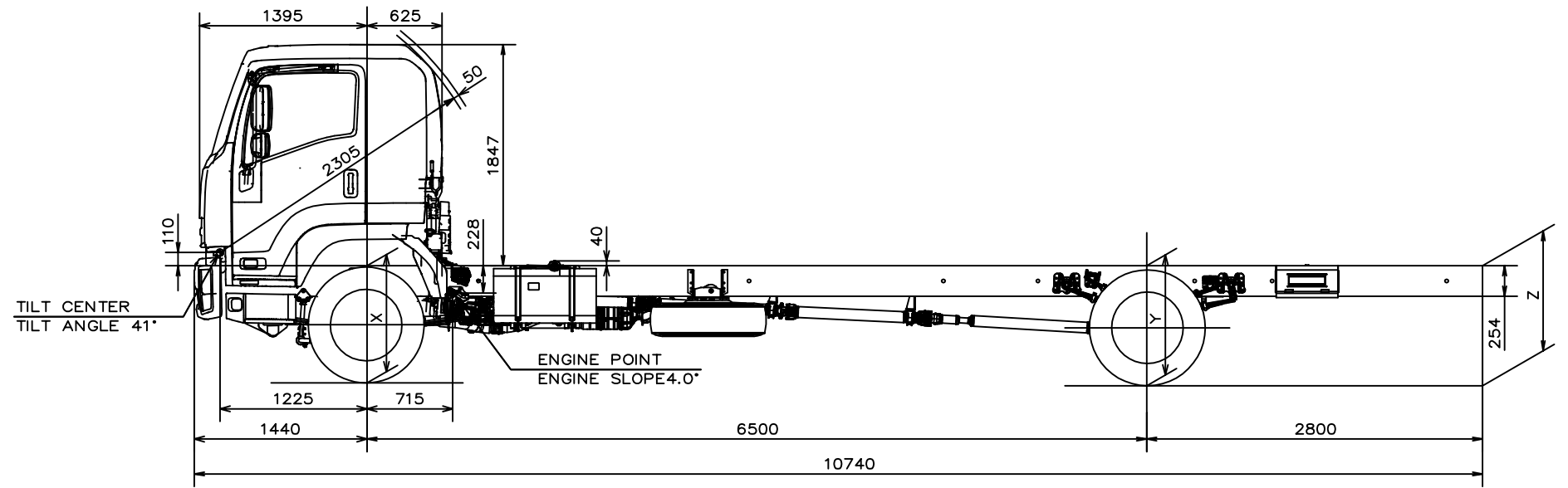
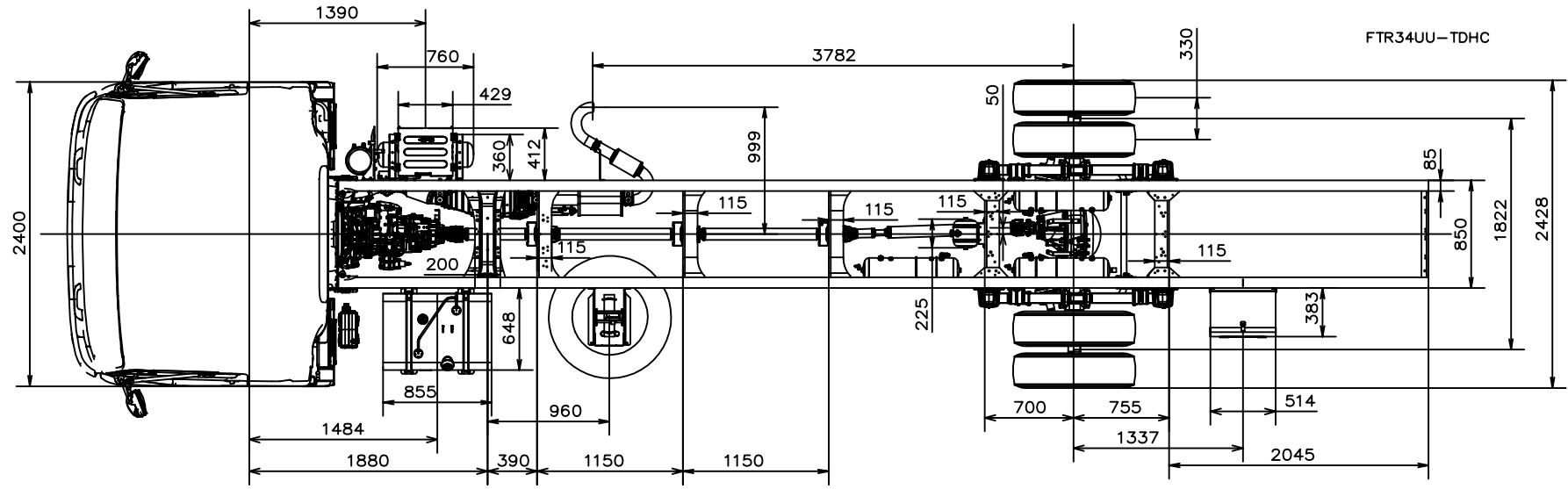


Copyright 2010 Isuzu Australia Limited

BODY BUILDER NOTES:

- 1. DIMENSIONS SHOWN ARE INDICATIVE ONLY
- 2. FOR ACTUAL DIMENSIONS REFER TO VEHICLE

CHASSIS HEIGHTS (unladen):
X=935mm
Y=1010mm
Z=1040mm



FH 2011MY Isuzu FTR 900 long