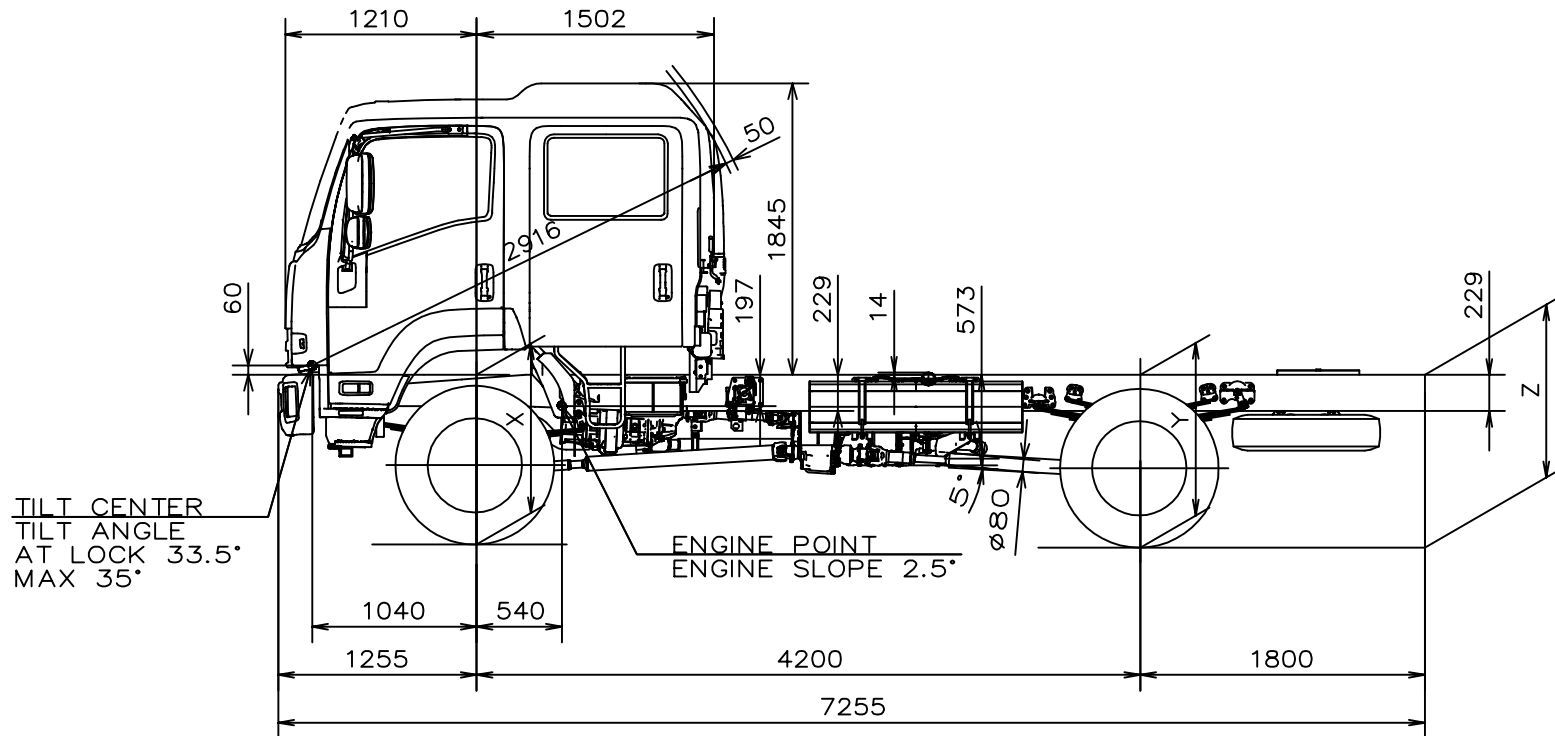


Copyright 2010 Isuzu Australia Limited

BODY BUILDER NOTES:

1. DIMENSIONS SHOWN ARE INDICATIVE ONLY
2. FOR ACTUAL DIMENSIONS REFER TO VEHICLE

CHASSIS HEIGHTS (unladen):
 X=980mm
 Y=1110mm
 Z=1145mm



FH 2011MY Isuzu FSS 550 4x4 crew