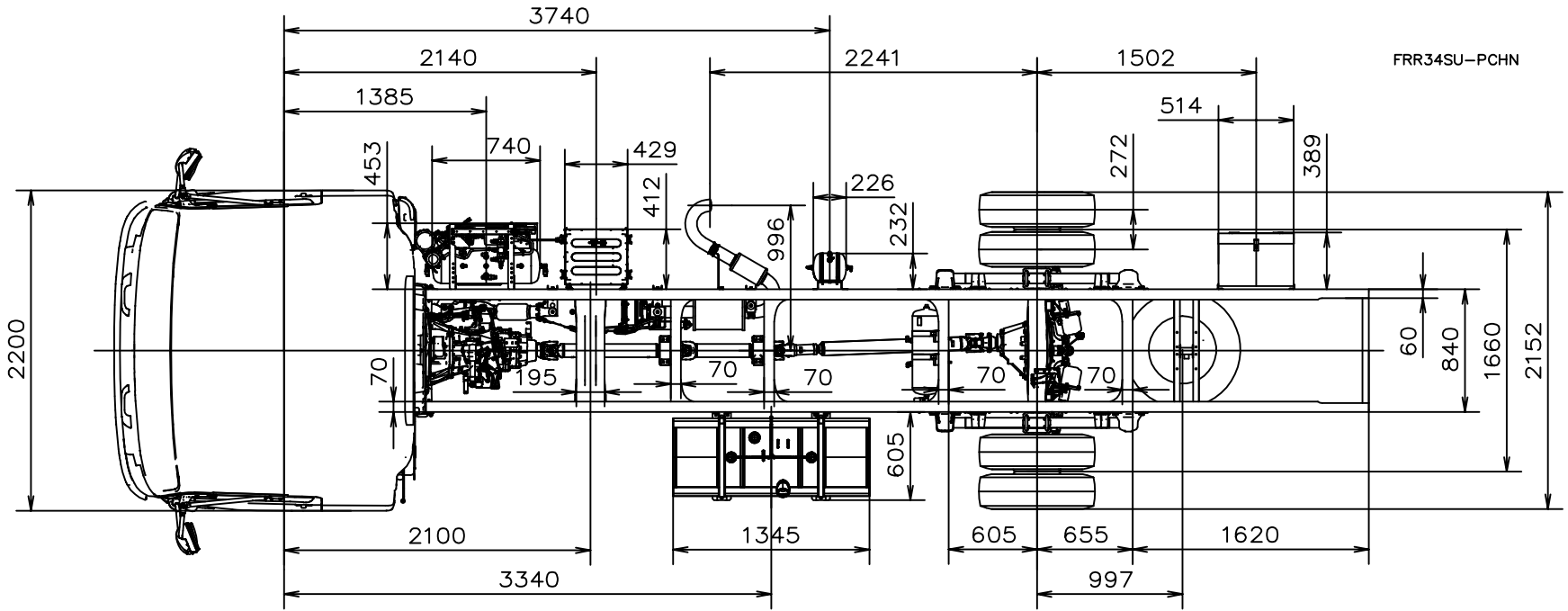


FRR34SU-PCHN

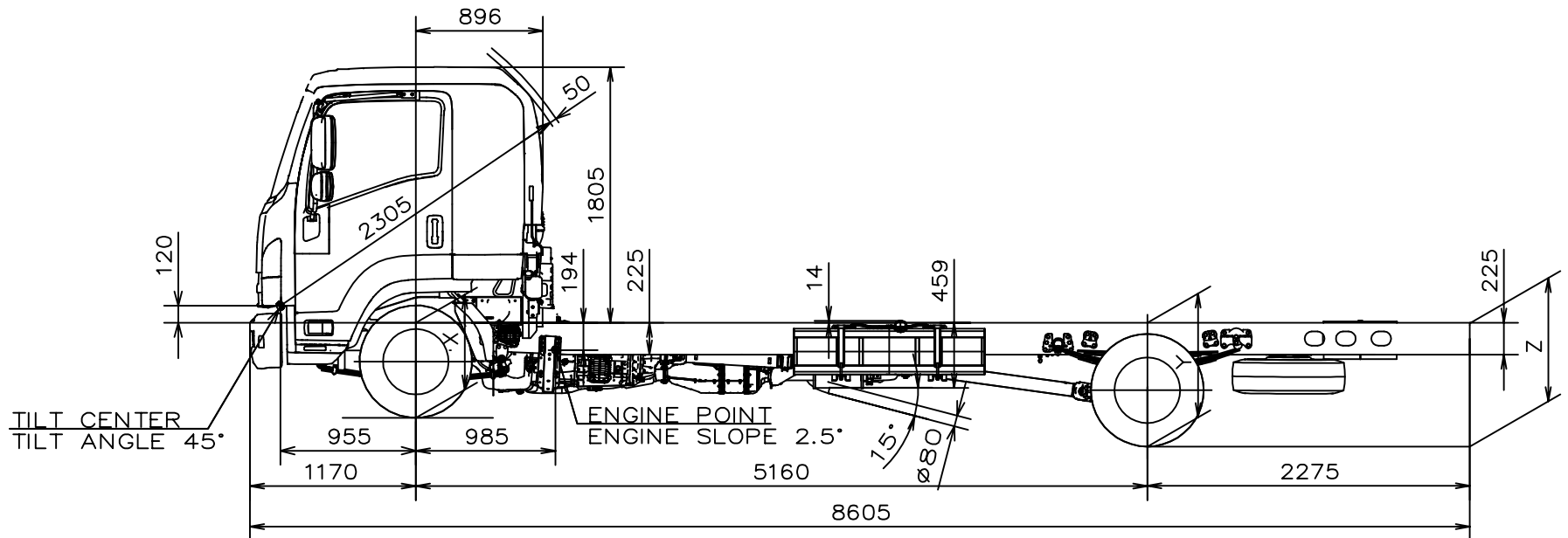


Copyright 2010 Isuzu Australia Limited

BODY BUILDER NOTES:

1. DIMENSIONS SHOWN ARE INDICATIVE ONLY
2. FOR ACTUAL DIMENSIONS REFER TO VEHICLE

CHASSIS HEIGHTS (unladen):
 X=715mm
 Y=895mm
 Z=950mm



FH 2011MY Isuzu FRR 600 long