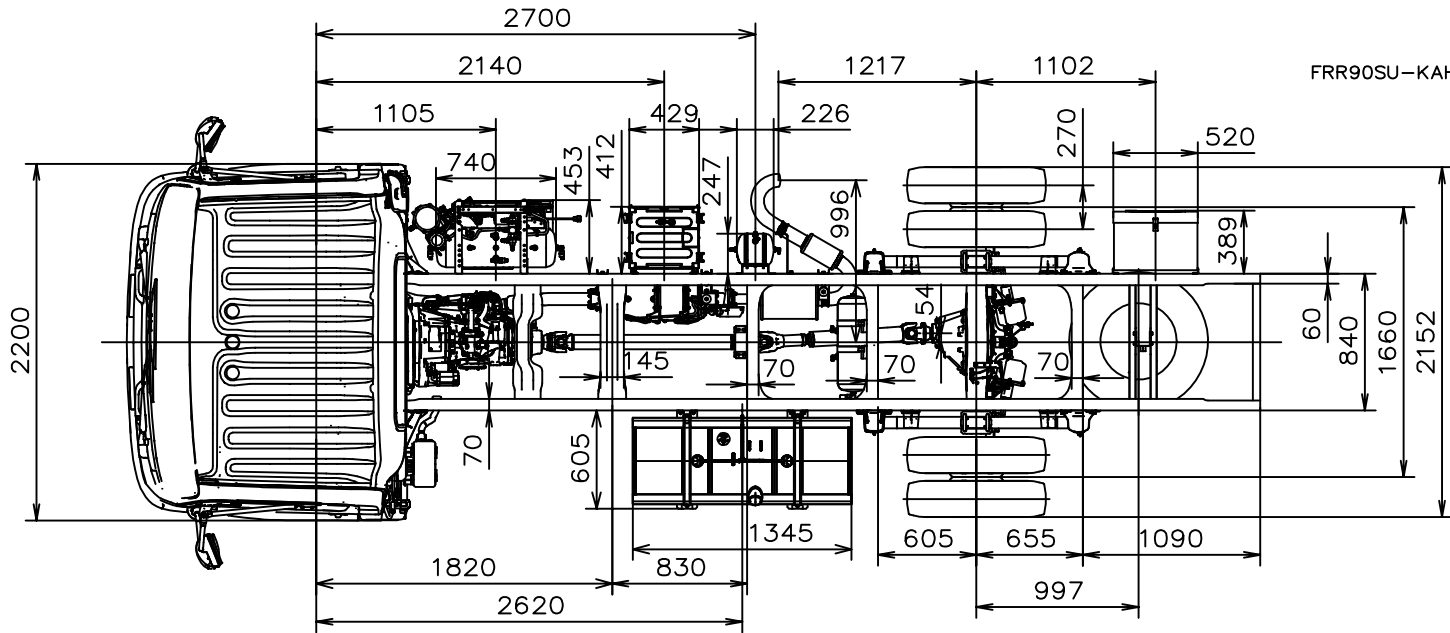


FRR90SU-KAHS



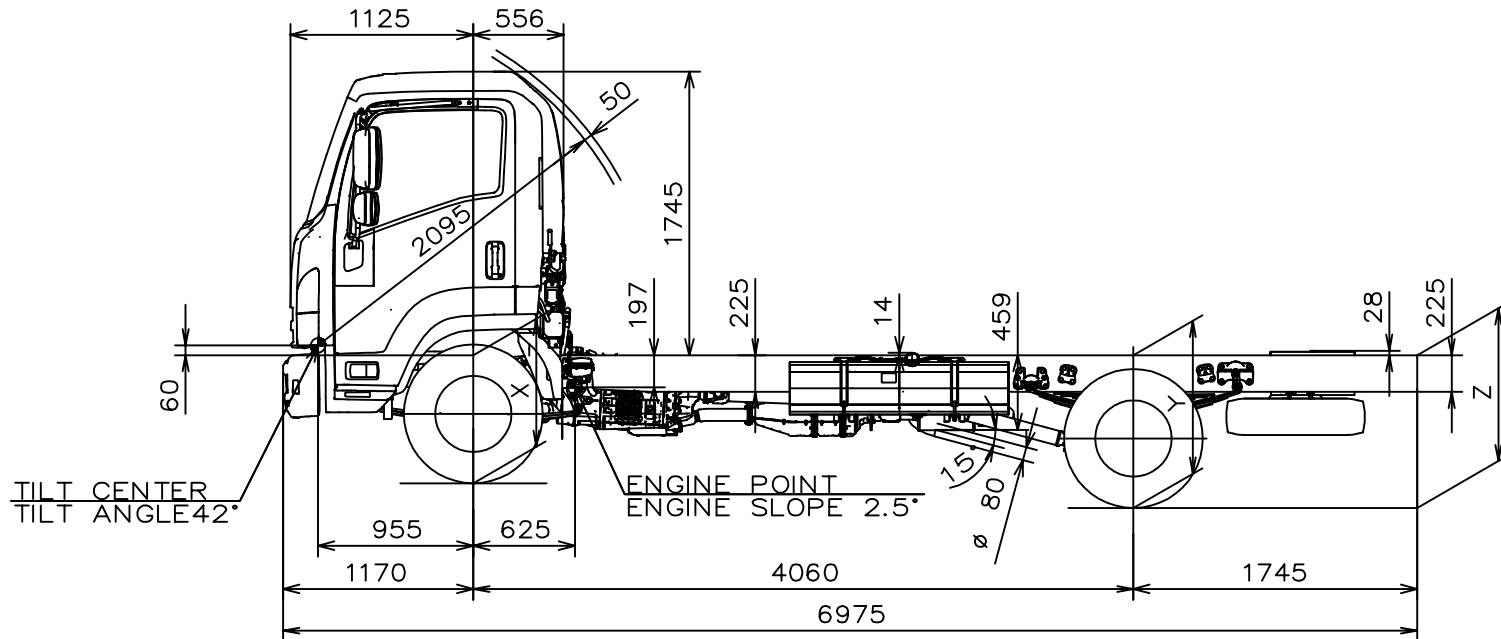
Copyright 2010 Isuzu Australia Limited

BODY BUILDER NOTES:

1. DIMENSIONS SHOWN ARE INDICATIVE ONLY
2. FOR ACTUAL DIMENSIONS REFER TO VEHICLE

CHASSIS HEIGHTS (unladen):

X=740mm
Y=915mm
Z=980mm



FH 2011MY Isuzu FRR 500 medium

Version 1, November 2010