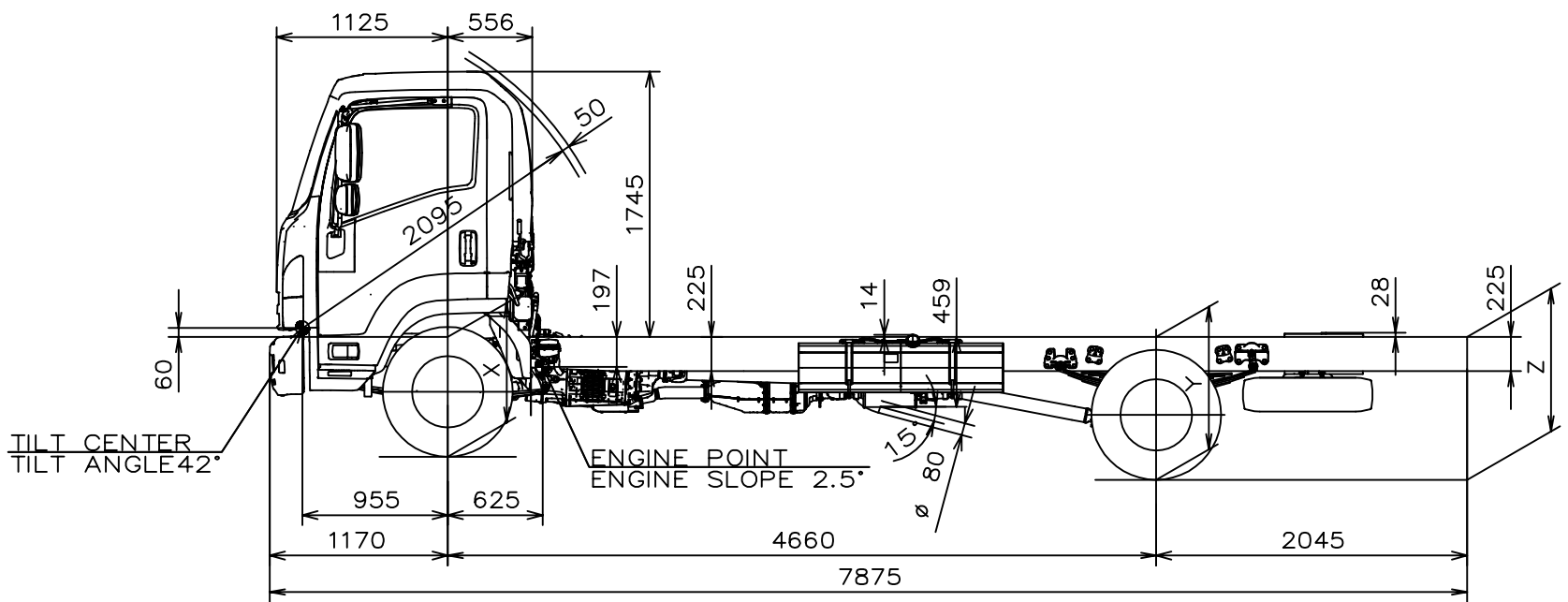


Copyright 2010 Isuzu Australia Limited
 BODY BUILDER NOTES:
 1. DIMENSIONS SHOWN ARE INDICATIVE ONLY
 2. FOR ACTUAL DIMENSIONS REFER TO VEHICLE

CHASSIS HEIGHTS (unladen):
 X=740mm
 Y=915mm
 Z=985mm



FH 2011MY Isuzu FRR 500 long