

ISUZU

PARTS & SERVICE

REAL DEALS.



ISUZU SCALE MODEL - N SERIES

\$19.99

While stock lasts. F Series model coming soon.

MDL700P	Isuzu N Series Scale Model	\$19.99
	Isuzu 700P 1/43 Scale Model	



ISUZU NEOPRENE SEAT COVERS

FROM **\$117.50**

92956444	Neoprene seat cover, driver,	NH	ALL NH	\$117.50
92956445	Neoprene seat cover, passenger bench seat	NH	NL*	\$159.50
92956446	Neoprene seat cover, passenger bench seat	NH	NP*, NQR	\$159.50

www.isuzu.com.au

ISUZU

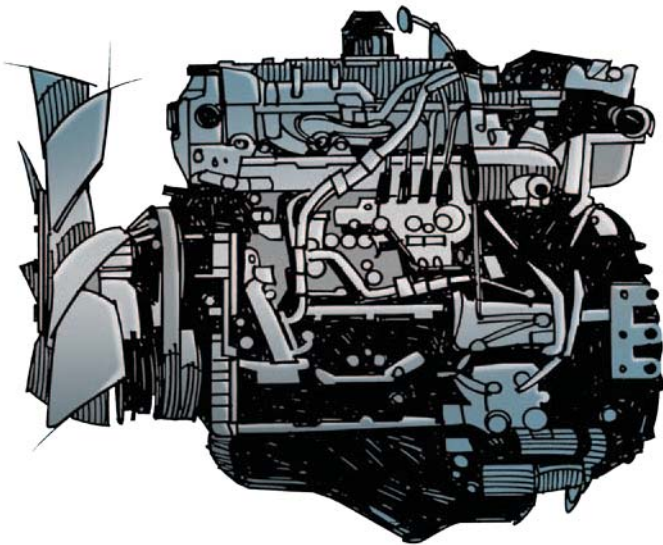
GENUINE PARTS

GENUINE VALUE ON GENUINE PARTS.

ISUZU BATTERIES

Manufactured to combat corrosion, water loss and vibration.
Durable, hard-wearing components.
Hybrid technology to withstand repeat charge and discharge.
Increased reserve capacity holds charge for longer.

CYB121840	NS70 Battery	Equivalent to Furukawa 80D26R	\$226.00
CYB121841	NS70L Battery	Equivalent to Furukawa 80D26L	\$226.00
CYB125840	N100MF Battery	Equivalent to Furukawa 115E41L	\$279.00
CYB125841	N150MF Battery	Equivalent to Furukawa 145G51	\$359.00



ISUZU COOLANTS

FROM **\$13.50**

Provides superior aluminium corrosion protection and heat transfer properties.

92955040	Long life anti-freeze coolant	1 litre	\$13.50
92955041	Long life anti-freeze coolant	5 litres	\$40.00
92955042	Long life anti-freeze coolant	20 litres	\$147.00
92955193	Pre mix anti-freeze coolant	5 litres	\$26.00
92955194	Pre mix anti-freeze coolant	20 litres	\$103.50
92955246	Pre mix anti-freeze coolant	205 litres	\$790.00

ENGINES

HUGE RANGE OF GENUINE ISUZU ENGINES AVAILABLE.

8971749920	4HG1 Engine Assembly	N Series	\$10,970.00
8971700360	4HF1 Engine Assembly	N Series	\$10,200.00

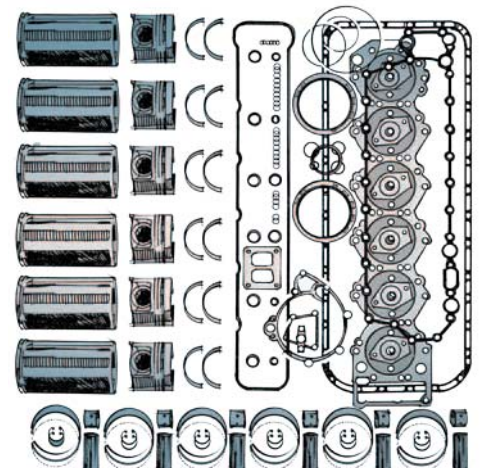
While stock lasts.

ENGINE RE-BUILD KITS

Includes Piston & Liner Sets, Big End & Main Bearings and Full Engine Gasket Set.

FROM **\$1,210.00**

92955085	Engine Rebuild Kit	6BD1 Engines 1976 to 1980	\$1,617.00
92955223	Engine Rebuild Kit	6HE1-TC SITEC I 230	\$2,117.50
92955444	Engine Rebuild Kit	6SD1-TC SITEC I 275 11/2002 On	\$3,542.00
92955078	Engine Rebuild Kit	4BD1 Engines 1980 to 1982	\$1,305.00
92955079	Engine Rebuild Kit	4BD1 Engines 1982 to 1984	\$1,305.00
92955080	Engine Rebuild Kit	4BD1 Engines 1985 to 1986	\$1,210.00
92955209	Engine Rebuild Kit	4HG1 up to 12/2000	\$1,650.00
92955210	Engine Rebuild Kit	4HG1 SITEC I 115 From 01/2001	\$1,730.00



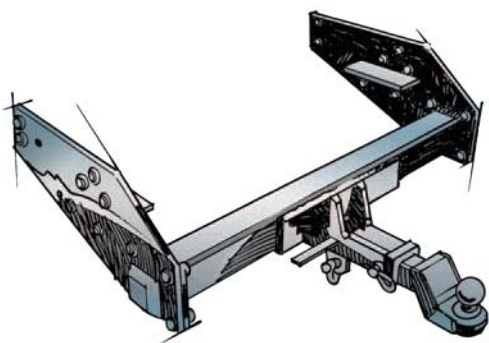
ISUZU

ACCESSORIES

MAXIMISE EFFICIENCY, SAFETY AND PRODUCTIVITY WITH ISUZU GENUINE ACCESSORIES.

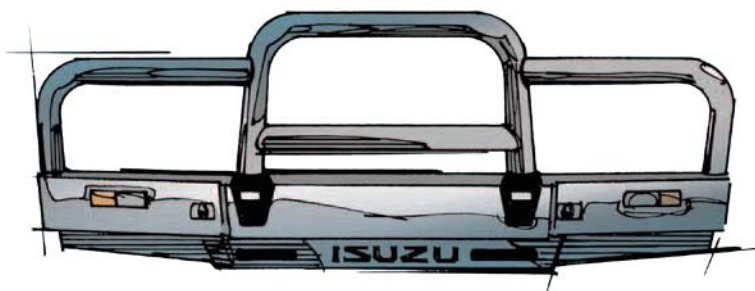
TOWBARS \$695.00

92956107	Towbar package	NPR/NQR Exc Tipper	2008-	\$695.00
92956113	Towbar package	NPS 4x4	2008-	\$695.00
92956222	Towbar package	NLR Exc Tipper	2008-	\$695.00



BULLBARS FROM \$1,500.00

92956213	Bullbar	NLR, NLS	2008 - ON	\$1,500.00
92956160	Bullbar	NNR, NPR, NQR, NPS excluding Premium models	2008 - ON without fog lamps	\$1,530.00
92956161	Bullbar	NPR, NQR Premium models	2008 - ON with fog lamps	\$1,585.00
92956158	Bullbar	FRR 500, FRD	2008 - ON	\$1,815.00
92956159	Bullbar	FRR 600, FSR, FSD	2008 - ON	\$1,985.00
92956251	Bullbar	FSS	2008 - ON	\$2,750.00
92956252	Bullbar	FTS	2008 - ON	\$3,060.00
92956218	Bullbar	FTR, FVR, FVD, FVM, FVL, FVZ, FVY, GVD	2008 - ON without option code "EBE"	\$2,885.00
92956433	Bullbar	FVR, FVD, FVM, FVL, FVZ, FVY, GVD	2008 - ON with option code "EBE"	\$3,190.00
92956219	Bullbar	FX*	2008 - ON	\$3,290.00



LED TORCH \$65.00

Includes wall and car/truck chargers.

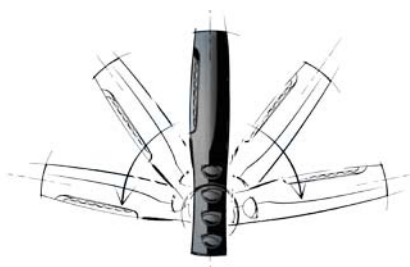
92956447	LED Re-chargable lamp	Universal	\$65.00
----------	-----------------------	-----------	---------

- 180 degree folding design offering ultimate position flexibility.
- 2 adjustable folding hooks offering even more lighting angle positions.
- 2 built-in magnets for parallel use and 1 for vertical use.
- Ultra bright LED provides up to 8 hours of continuous lighting.
- LED spot light provides up to 15 hours of continuous lighting.



HEADLIGHT PROTECTORS \$85.00

92956090	Headlight Protectors	N Series, FR*, FS*	2008-	\$85.00
92956379	Headlight Protectors	FTR, FV*	2008-	\$85.00



CARPET FLOORMATS FROM \$135.00



92956139	Carpet Floor Mats	NLR with AMT	2008 - ON front floor with footrest	\$135.00
92956140	Carpet Floor Mats	NLR without AMT	2008 - ON front floor without footrest	\$135.00
92956141	Carpet Floor Mats	NNR, NPR, NQR without AMT	2008 - ON front floor with footrest	\$145.00
92956142	Carpet Floor Mats	NNR, NPR, NQR with AMT	2008 - ON front floor without footrest	\$145.00
92956143	Carpet Floor Mats	FR*, FS*	2008 - ON front floor with footrest	\$150.00
92956144	Carpet Floor Mats	FT*, FV*	2008 - ON front floor without footrest	\$155.00
92956145	Rear Cargo Mat	FRR 600, FSR, FSD, FSS	2008 - ON fits in storage area behind seats (regular cab only)	\$150.00
92956146	Rear Cargo Mat	FT*, FV*	2008 - ON fits in storage area behind seats	\$155.00

DASHMATS \$90.00

92956233	Dashmat & extension	NLR	2008-	\$90.00
92956234	Dashmat & extension	NNR/NPR/NPS/NQR	2008-	\$90.00
92956235	Dashmat & extension	FR*/FS*	2008-	\$90.00
92956236	Dashmat & extension	FT*/FV*/FX*	2008-	\$90.00



*Applies to all models in series.

Prices published are recommended selling prices, include GST and are effective January 1st 2012 until March 31st 2012 or while stocks last. Graphic illustrations of parts are for illustrative purposes only. All parts advertised herein have been included in good faith and on the basis that those parts will be available at participating Isuzu Dealerships at the time of publication. Isuzu and participating Dealers reserve the right to correct any errors made in parts listed and/or the pricing published.

ISUZU

DRIVELINE

**EATON TRANSMISSION -
TOP GEAR AT GREAT PRICES.**

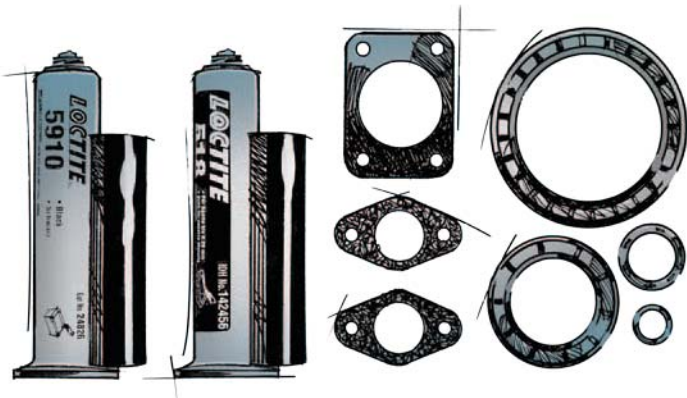
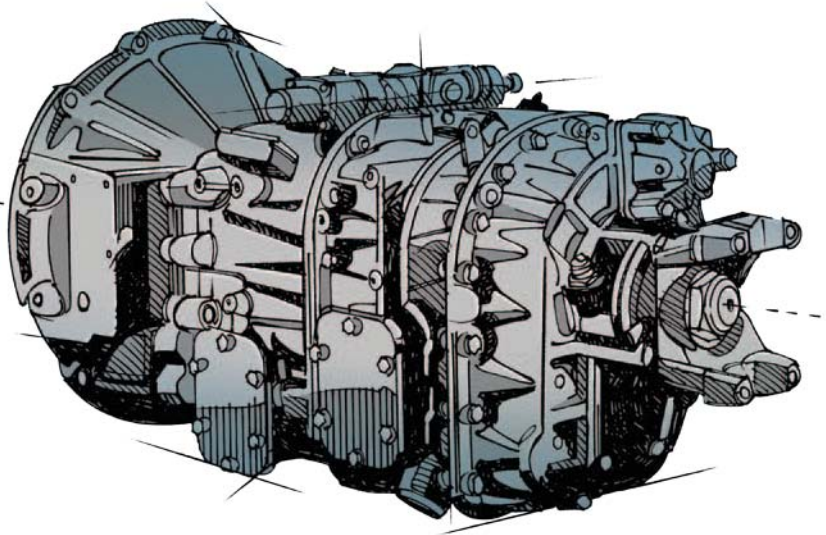
EATON TRANSMISSION

\$9,000.00

While stock lasts.

ZY07127 Complete Transmission Direct replacement for the Y08152 \$9,000.00

- Improved planetary carrier assembly.
- Quiet-fine pitch head-set gearing.
- Improved synchronizers & gear hubs (material & lubrication).
- IAS (Integrated Air System).

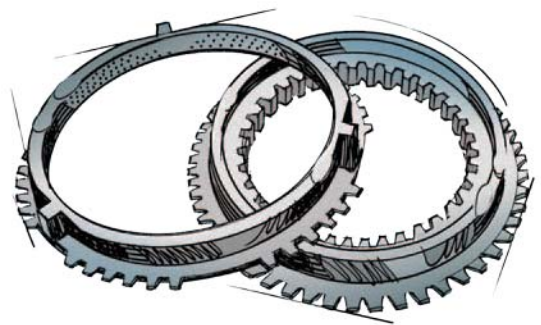
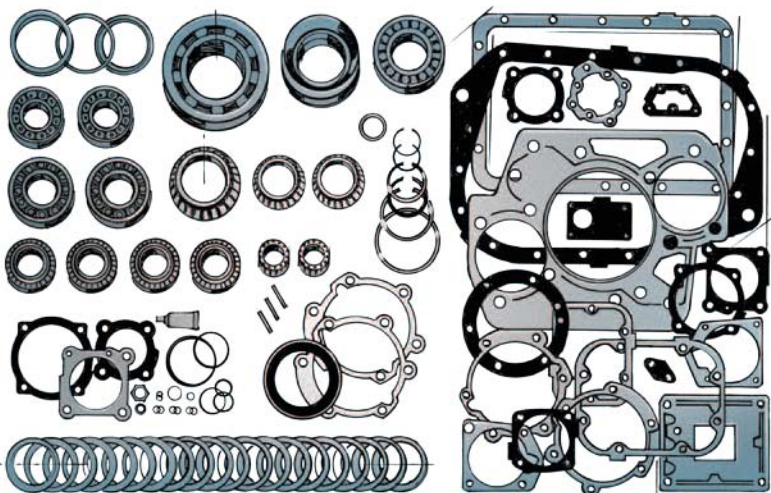


GASKET & SEAL KIT \$295.00

T20609 Gasket and Seal kit Flange and Ring Kit 6109/8209 Transmission \$295.00

RE-BUILD KIT \$750.00

K3340 Transmission Re-build Kit Basic Re-Build kit RTL016918B/189188/20918B \$750.00



SYNCHRO KIT \$180.00

T21039 Minor Synchro Kit Flange and Ring Kit 6109/8209 Transmission \$180.00

ISUZU
BEST VALUE PARTS

The best value alternative



**DEPENDABLE PARTS FOR YOUR
DEPENDABLE PARTNER.**

The Best Value Parts (BVP) range provides a cost-effective alternative to owners of older model Isuzu trucks who aren't prepared to compromise on safety and reliability,

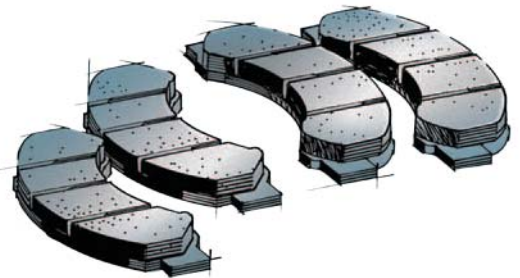
**BVP
BRAKE
SHOES**
FROM **\$83.00**



92956004	Front Brake Shoe (set)	FRR, 96 on EXC. Rear Wheel Air Brake	2 Brake Shoes per set	\$110.00
92956005	Front Brake Shoe (set)	FRR, 96 on WITH Rear Wheel Air Brake	2 Brake Shoes per set	\$110.00
92956006	Front Brake Shoe (set)	FRR, 96 - Later Date Application	2 Brake Shoes per set	\$110.00
92956007	Front Brake Shoe (set)	FRR, 96 - Later Date Application	2 Brake Shoes per set	\$110.00
92956008	Rear Brake Shoe (set)	FRR, 96 on EXC. Rear Wheel Air Brake	2 Brake Shoes per set	\$140.00
92956009	Rear Brake Shoe (set)	FRR, 96 on WITH Rear Wheel Air Brake	2 Brake Shoes per set	\$140.00
92956010	Front Brake Shoe (set)	FSR, FSS, FTS, - 96 ON	2 Brake Shoes per set	\$130.00
92956011	Rear Brake Shoe (set)	FSR, FSS, FTS, - 96 ON	2 Brake Shoes per set	\$135.00
92956012	Rear Brake Shoe (set)	NKR Flat Low 94 ON	2 Brake Shoes per set	\$83.00
92956013	Front Brake Shoe (set)	NKR - 94 ON	2 Brake Shoes per set	\$92.00
92956014	Rear Brake Shoe (set)	NPR - 94 ON	2 Brake Shoes per set	\$130.00
92956015	Rear Brake Shoe (set)	NPS, NPR - 94 ON	2 Brake Shoes per set	\$115.00
92956016	Front Brake Shoe (set)	NPS, NPR - 94 ON	2 Brake Shoes per set	\$104.00

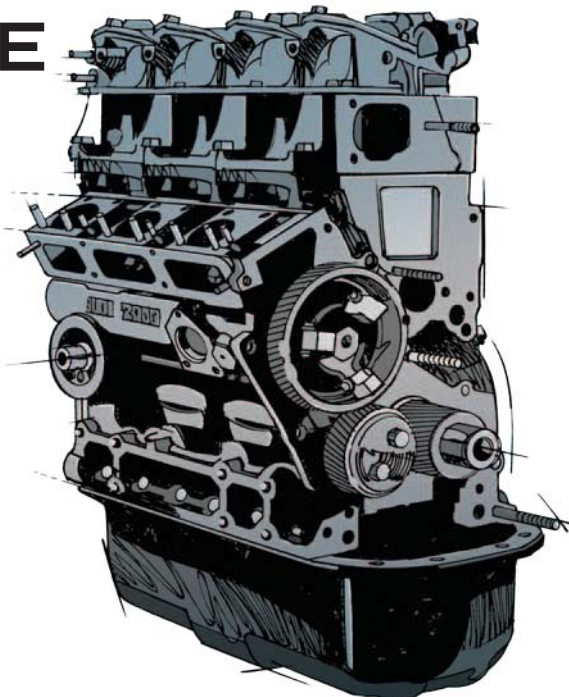
**BVP
BRAKE PADS**
\$120.00

92956368	Pad Kit, Caliper	NPR 200 / 250 / 275 / 300 (Exc. Auto) 99 ON	\$120.00
92956369	Pad Kit, Caliper	NPR 250 / 300 AUTO 94-98	\$120.00
92956370	Pad Kit, Caliper	NPR 250 CREW / 400 05 - ON	\$120.00
92956371	Pad Kit, Caliper	NQR 05 - ON	\$120.00



**INDUSTRIAL ENGINE
LONG BLOCKS**
FROM **\$4,389.00**

3LB1LB01	DA** / EA** / GA** / PA** / PV** / PW**	RH PTO or without PTO	\$6,875.00
3LB1LB02	PW-05 / PW-06 / PW-08 / PW-14 / PW-15	LH PTO	\$6,875.00
3LD1LB01	DA** / EA** / GA** / PA** / PV** / PW**	RH PTO or without PTO	\$6,589.00
3LD1LB02	PW-05 / PW-07 / PW-08 / PW-10	LH PTO	\$6,556.00
3LD2LB01	PW** / CA** / PA-01	High speed; more than 3000 RPM	\$6,369.00
3LD2LB02	PA-02 / PA-03	Less than 3000 RPM	\$6,259.00
C240LB01	PKF** / PKH** / PKG** / PKL** series	FORK (PTO)	\$4,752.00
C240LB02	PR** / P** / PA** / PAB** / PC** / PE** series	GENERAL	\$4,389.00
C240LB03†	PV** / PW** / PAV** / PAW** series	SPLINE CRANKSHAFT	\$4,543.00
4JB1LB01	PA** / PK** / PW** / PV** / PY** series		\$4,664.00
4JB1LB02	PAA** / PAW** / PAV** / PYA** series		\$4,664.00
4JB1TLB01	TPK** / TPX**		\$4,664.00
4JG1LB01	PAA** / PAC / PH** / PK** / PV** / PYA** / PBW** series		\$5,654.00
4JG1TLB01		All turbocharged engines (Industrial)	\$5,698.00
4JG2LB01	PE** / PJ** / PL** series		\$5,005.00
4BD1TLB		All turbocharged engines (Industrial)	\$8,131.20
4BG1TLB		All turbocharged engines (Industrial)	\$7,986.00
6BD1TLB		All turbocharged engines (Industrial)	\$14,960.00
6BG1LB		All naturally aspirated engines (Industrial)	\$10,219.00
6BG1TLB		All turbocharged engines (Industrial)	\$10,219.00



*Applies to all models in series.

Prices published are recommended selling prices, include GST and are effective January 1st 2012 until March 31st 2012 or while stocks last. Graphic illustrations of parts are for illustrative purposes only. All parts advertised herein have been included in good faith and on the basis that those parts will be available at participating Isuzu Dealerships at the time of publication. Isuzu and participating Dealers reserve the right to correct any errors made in parts listed and/or the pricing published.

†Note: C240 LB-03 should be used if you have a splined crankshaft including gear case PTO applications.

SEE THE REAL DEALERS.

*Denotes Isuzu Service & Parts only ■ Denotes Industrial Engines • Denotes locations which have a Mobile Service Unit

ACT				
Canberra (Queanbeyan)	CANBERRA ISUZU	16 Kendall Avenue	Ph: 02 6297 3862	www.canberratrucks.com.au
NEW SOUTH WALES				
Dubbo	TRACSERV TRUCKS	19 Purvis Lane	• Ph: 02 6884 2023	www.tracserv.net.au
Gosford (West)	GILBERT & ROACH ISUZU	Cnr Manns & Yandina Roads	• Ph: 02 4323 1000	www.gandr.com.au
Inverell	KENWAY & CLARK	10-12 Swanbrook Road	• Ph: 02 6721 6900	www.kenwayandclark.com.au
Lismore	NORTHERN RIVERS ISUZU	Cnr Bruxner Highway & Snow Street	Ph: 02 6627 8450	www.goldcoastisuzu.com.au
Macksville	MIDCOAST TRUCKS	169 Nursery Road	• Ph: 02 6568 2888	www.midcoasttrucks.com.au
Moree	KENWAY & CLARK	369-379 Frome Street	• Ph: 02 6750 8300	www.kenwayandclark.com.au
Newcastle (Hexham)	GILBERT & ROACH ISUZU	320 Pacific Highway	• Ph: 02 4964 8641	www.gandr.com.au
Orange	TRACSERV TRUCKS	23-25 Peisley Street	Ph: 02 6360 1851	www.tracserv.net.au
Port Macquarie	MIDCOAST TRUCKS	183 Hastings River Drive	Ph: 02 6583 9888	www.midcoasttrucks.com.au
Sydney (Arncliffe)	SUTTONS MOTORS ARNCLIFFE	93 Princes Highway	• Ph: 02 9335 9000	www.suttonsmotorsarncliffetrucks.com.au
Sydney (Huntingwood)	GILBERT & ROACH	8 Huntingwood Drive	• Ph: 02 8825 1000	www.gilbertandroach.com.au
Sydney (Narellan) *	GILBERT & ROACH	7 Millwood Avenue	• Ph: 02 4647 7377	www.gilbertandroach.com.au
Tamworth	PEEL VALLEY ISUZU	97 Gunnedah Road	• Ph: 02 6768 3111	www.peelvalleygroup.com.au
Wagga Wagga	WAGGA MOTORS	32 Dobney Avenue	• Ph: 02 6933 0100	www.waggamotors.com.au
Wollongong (Conniston)	DWYERS TRUCK CENTRE	Lot 5 John Cleary Place	• Ph: 02 4251 6720	www.dwyersmotors.com.au
NORTHERN TERRITORY				
Darwin (Pinelands)	AIRPOWER	Lot 1810 McKinnon Road	Ph: 08 8939 0200	www.airpower.com.au
Alice Springs	AIRPOWER	19 Kennett Court	Ph: 08 8952 5155	www.airpower.com.au
QUEENSLAND				
Brisbane (Archerfield)	BRISBANE ISUZU	26 Kerry Road	• Ph: 07 3373 2400	www.brisbaneisuzu.com.au
Brisbane (Burrupary)	BRISBANE ISUZU	222 Eastern Ser Road, Bruce Highway	• Ph: 07 3385 4300	www.brisbaneisuzu.com.au
Brisbane (Eagle Farm)	BRISBANE ISUZU	208 Fison Avenue	• Ph: 07 3866 2200	www.brisbaneisuzu.com.au
Cairns	IRELAND ISUZU	227 - 233 Mulgrave Road	• Ph: 07 4052 3666	www.irelands.com.au/isuzu
Emerald *	DAVID LOWERY DIESEL REPAIRS	Lot 6 Cottonview Road	Ph: 07 4987 4444	
Gold Coast (Nerang)	GOLD COAST ISUZU	107-113 Spencer Road	Ph: 07 5583 8850	www.goldcoastisuzu.com.au
Gladstone *	DIESEL SERVICES	19 Cotton Street	Ph: 07 4972 2350	
Gympie	MADILLS ISUZU	2 Bruce Highway	• Ph: 07 5480 5545	www.madillsisuzu.com.au
Hervey Bay (Pialba)	ROD GRIEVES ISUZU	96 Boat Harbour Drive	• Ph: 07 4194 4444	www.rgauto.com.au
Mackay (Paget)	CROKERS TRUCK CENTRE	4 Southgate Drive	• Ph: 07 4952 4952	www.crokerstruckcentre.com.au
Maryborough	ROD GRIEVES ISUZU	92 Adelaide Street	Ph: 07 4194 4444	www.rgauto.com.au
Mt Isa *	OUTBACK FORKLIFTS	9-11 Traders Way	Ph: 07 4743 0322	
Rockhampton	LAWRENCES	327 Richardson Road	Ph: 07 4930 5111	www.lawrences.ihub.com.au
Roma	BLACK TRUCK SALES	Lot 4 & 5 Lindsay Court	Ph: 07 4622 8288	www.blacktrucksales.com.au
Sunshine Coast (Woombye)	MADILLS ISUZU	229 Nambour Connection Road	• Ph: 07 5442 1388	www.madillsisuzu.com.au
Toowoomba	BLACK TRUCK SALES	494-498 Boundary Road	• Ph: 07 4631 4200	www.blacktrucksales.com.au
Townsville (Garbutt)	TONY IRELAND ISUZU	36 Duckworth Street	• Ph: 07 4726 7777	www.tonyireland.com.au
SOUTH AUSTRALIA				
Adelaide (Burton)	NORTH EAST ISUZU	112 Port Wakefield Road	• Ph: 08 8280 9899	www.neisuzu.com.au
Adelaide (Hampstead Gardens)	ADELAIDE ISUZU	253 North East Road	Ph: 08 8261 6006	www.adelaideisuzu.com.au
Mt Gambier	OG ROBERTS	Jubilee Highway West	• Ph: 08 8724 1111	www.ogr.com.au
Port Augusta	PORT AUGUSTA ISUZU	No.3 Footner Road	• Ph: 08 8643 6233	www.paisuzu.com.au
TASMANIA				
Burnie *	WEBSTER TRUCKS	17-19 River Road	Ph: 03 6431 9855	www.motors.com.au
Devonport (East) *	WEBSTER TRUCKS	Lot 1 6183 Frankford Highway	Ph: 03 6427 5444	www.motors.com.au
Hobart (Derwent Park)	WEBSTER TRUCKS	8C Lampton Avenue	Ph: 03 6211 0530	www.motors.com.au
Launceston (Kings Meadows)	WEBSTER TRUCKS	90 Connector Park Road	Ph: 03 6340 7766	www.motors.com.au
VICTORIA				
Bairnsdale	GIPPSLAND TRUCK CENTRE	180 Princess Highway	• Ph: 03 5152 1616	www.gtctruck.com.au
Ballarat (Wendouree)	BALLARAT ISUZU	356 Dowling Street	• Ph: 03 5335 3600	http://www.ballaratisuzu.com.au
Bendigo (Epsom)	POYSER TRUCKS	119-141 Midland Highway	Ph: 03 5444 4011	www.poysermotors.com.au
Geelong	WINTER & TAYLOR	53 Mercer Street	Ph: 03 5222 1811	www.wth.com.au
Leongatha *	GTM TRUCK CENTRE	16 Cusack Road	Ph: 03 5662 5266	www.gtmleongatha.com.au
Melbourne (Campbellfield) *	WESTAR TRUCK CENTRE	Hume Highway & Northbourne Road	• Ph: 03 9305 3155	www.westartrucks.com.au
Melbourne (Dandenong)	PATTERSON CHENEY TRUCKS	200 Cheltenham Road	• Ph: 03 9215 2300	www.pattersoncheneys.com.au
Melbourne (Derrimut)	WESTAR TRUCK CENTRE	1 Australis Drive	• Ph: 03 9394 0000	www.westartrucks.com.au
Moe *	MOE DIESEL & AUTOMOTIVE SERVICES	148 Moore Street	Ph: 03 5127 2933	
Mildura	MILDURA TRUCK CENTRE	293 Benetook Avenue	• Ph: 03 5051 2800	www.milduratruck.com.au
Shepparton	TAIG BROS	6 Wheeler Street	• Ph: 03 5821 9811	www.taigbros.com.au
Swan Hill	THE TRUCK SPECIALISTS	219-221 Sea Lake Road	Ph: 03 5033 1372	www.milduratruck.com.au/location.php
Warrnambool *	WEST COAST SERVICE CENTRE	87 Rooneys Road	Ph: 03 5562 0665	
Wodonga	BLACKLOCKS ISUZU	5 Kendall Street	Ph: 02 6057 8777	www.blacklocks.com.au
WESTERN AUSTRALIA				
Albany	ALBANY CITY ISUZU	92 - 98 Earl Street	Ph: 08 9842 8000	www.albanycitymotors.com.au
Bunbury (Picton)	SOUTH WEST ISUZU	3 Giorgi Road	Ph: 08 9725 4911	www.jemtrucksales.com.au
Geraldton	WALTONS GERALDTON	24 Edward Road	Ph: 08 9921 5044	www.waltons.com.au
Kalgoorlie	GOLDFIELDS TRUCK POWER	5 Epis Street	• Ph: 08 9021 4800	
Moora	WALTONS	Lot 59 Padbury Street	Ph: 08 9651 1363	www.waltons.com.au
Perth (Forrestfield)	MAJOR MOTORS	789 Abernethy Road	• Ph: 08 9365 6333	www.majormotors.com.au
Perth (Malaga) *	MAJOR MOTORS	65 Croker Drive	• Ph: 08 9249 1740	www.majormotors.com.au
Perth (O Connor)	MAJOR MOTORS	324 Stock Road	• Ph: 08 9331 9331	www.majormotors.com.au
Port Hedland (Wedgefield) *	MAJOR MOTORS PORT HEDLAND	14 Murrena Street	Ph: 08 9140 1811	www.majormotors.com.au